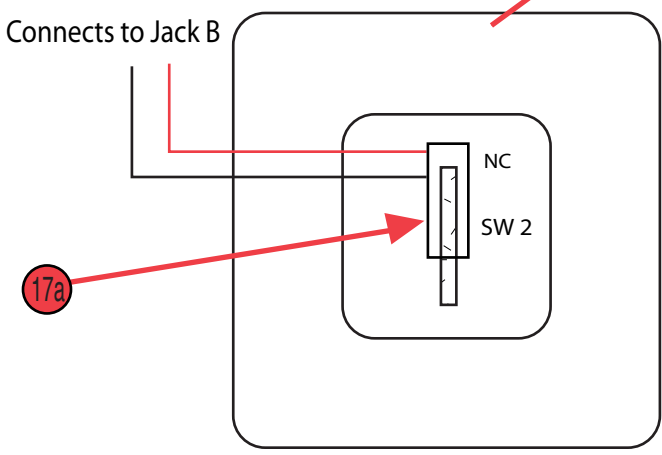


Fig. 6



Detail C
Top View, Drivers Seat Detection Switch Detail

Invention Name: "Child Safety Seat Alert"	
Inventor: Ms. Mary J. Donaldson	
Materials: Plastic, Electrical and Electronic Components	
Drawing No. 5	Date: June, 2005
by Mindtek Corp.	