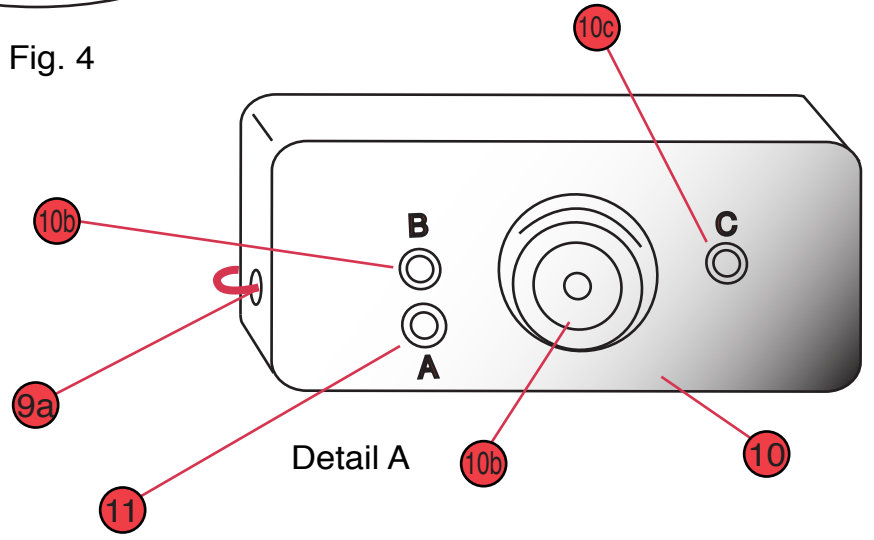


Fig. 4



Detail A

Invention Name: "Child Safety Seat Alert"	
Inventor: Ms. Mary J. Donaldson	
Materials: Plastic, Electrical and Electronic Components	
Drawing No. 3	Date: June, 2005
by Mindtek Corp.	